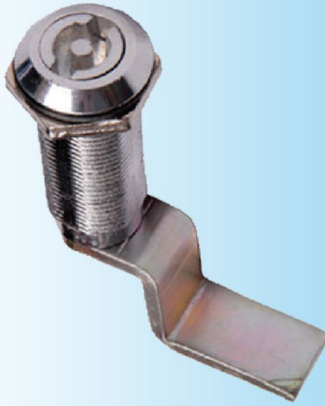
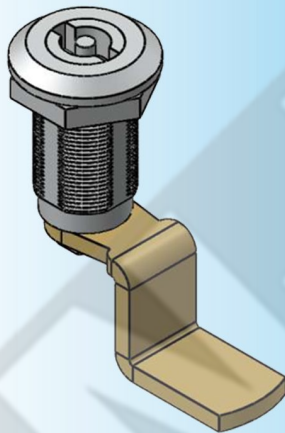


For Product Step File or 3D Model Send a Request Mail To info@nrack.com

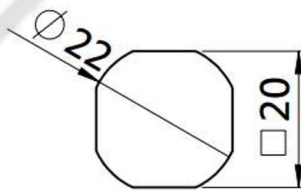
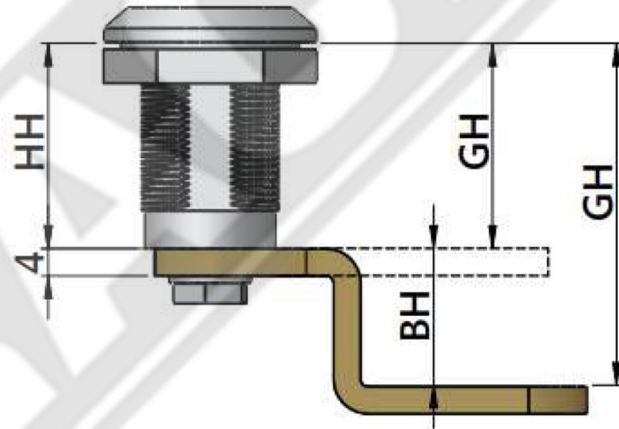
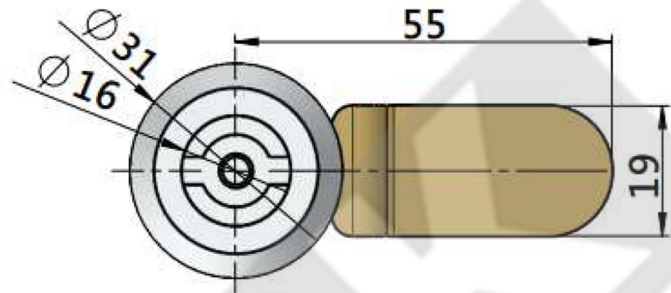
Photo View



3D Rendered View



PL - 11



CUT OUT

HOUSING HEIGHT (HH)	GRIPPING HEIGHT (GH)	BENDING HEIGHT (BH)
30	30	00
	40	10
	50	20
	60	30
50	50	00
	60	10

- Material: Zinc Die Casting, Steel Cam

- Finish: Chrome Plating